

NOTES:

- MATERIAL:
 - HOUSING: THERMOPLASTIC, HIGH TEMP., UL94V-0; COLOR:BLACK.
 - CONTACT: COPPER ALLOY
 - SHELL: STAINLESS

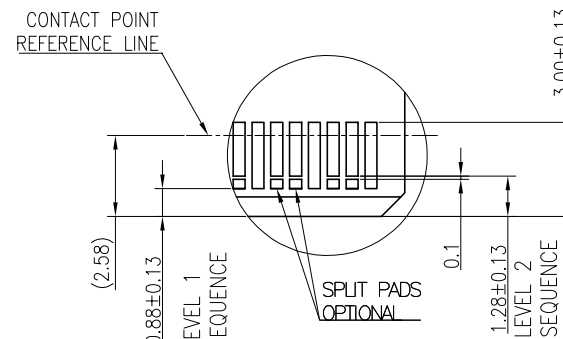
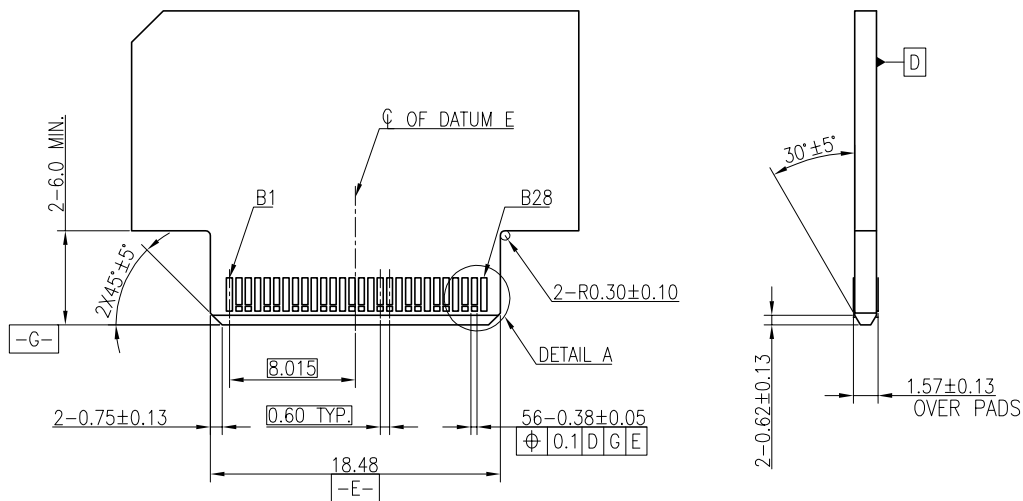
- FINISH:
 - CONTACT:
 - CONTACT AREA: SEE ORDER INFORMATION.
 - SOLDER AREA: GOLD FLASH PLATED.
 - SHELL: MATTE TIN PLATED OVERALL.
 - 50-100u" NICKEL UNDERPLATED OVERALL.

- REFLOW SOLDER CAPABLE TO 260°C PER ACES SPEC.
- SPEC. PLS. REFER TO PS-52708-XXXXX-XXX
- PACKAGE PLS. REFER TO 52708-XXXXX-XXX-TRAY
- PART NUMBER

52708-056 X X-XXX

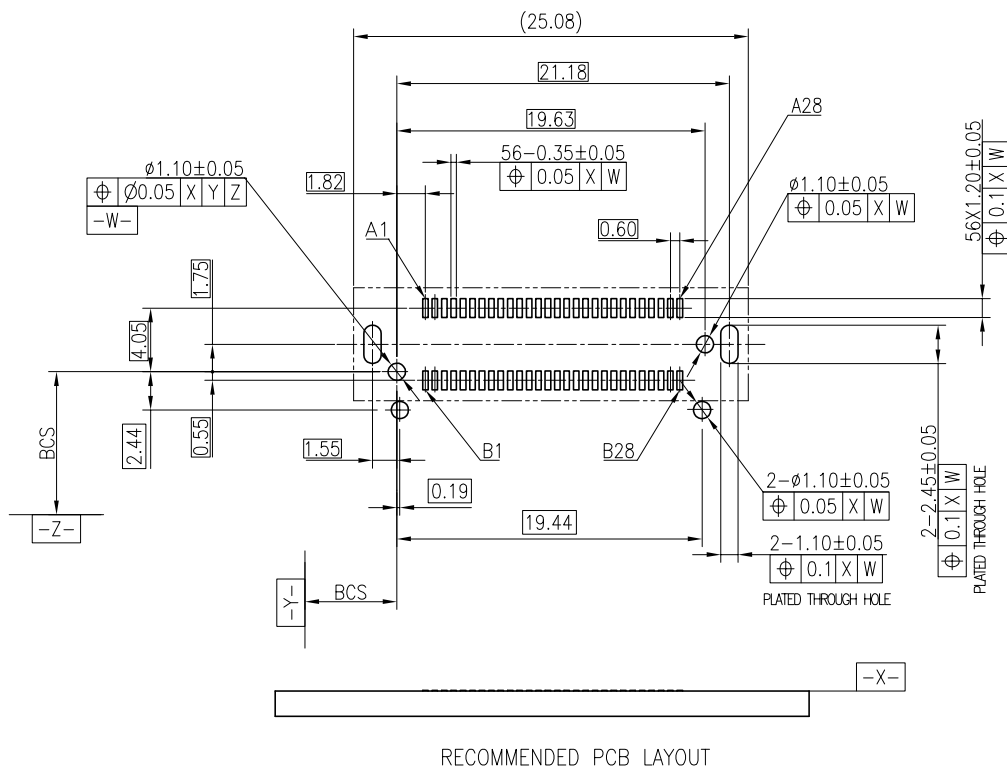
CKTS 056(1C) X X-XXX 001: NONE
 PLATING D: GOLD 30u" ON CONTACT AREA
 PACKING 2: TRAY

| | | | |
|--|---------------------------------|------------------|---|
| QUALITY SYMBOLS MAJOR Ⓢ CRITICAL Ⓢ | DRAWN BY Lin, Chia Ann | DATE 21/08/05 | ACES ELECTRONICS |
| | CHECKED BY Lee, I Hung | DATE 21/08/05 | |
| GENERAL TOLERANCES (UNLESS SPECIFIED) X ±0.5 .X ±0.25 .XX ±0.15 .XXX ±0.1 ANGLES ±2° | APPROVED BY Wang, Chun Sheng | DATE 21/08/05 | TITLE GEN-Z 1C 0.6 MM PITCH VERTICAL SMT TYPE |
| | UNITS mm | SCALE 2:1 | SIZE A4 |
| | SHEET NO. 1 OF 2 | REV A | DWG NO. 52708-056XX-XXX |



DETAIL A
SCALE 4:1

NOTE : POSITION A1 ON OPPOSITE SIDE OF CARD OF B1



RECOMMENDED PCB LAYOUT

| CONTACT NUMBER | SIDE A | SIDE B |
|----------------|--------|--------|
| 1 | GROUND | GROUND |
| 2 | SIGNAL | SIGNAL |
| 3 | SIGNAL | SIGNAL |
| 4 | GROUND | GROUND |
| 5 | SIGNAL | SIGNAL |
| 6 | SIGNAL | SIGNAL |
| 7 | GROUND | GROUND |
| 8 | SIGNAL | SIGNAL |
| 9 | SIGNAL | SIGNAL |
| 10 | GROUND | GROUND |
| 11 | SIGNAL | SIGNAL |
| 12 | SIGNAL | SIGNAL |
| 13 | GROUND | GROUND |
| 14 | SIGNAL | SIGNAL |
| 15 | SIGNAL | SIGNAL |
| 16 | GROUND | GROUND |
| 17 | SIGNAL | SIGNAL |
| 18 | SIGNAL | SIGNAL |
| 19 | GROUND | GROUND |
| 20 | SIGNAL | SIGNAL |
| 21 | SIGNAL | SIGNAL |
| 22 | GROUND | GROUND |
| 23 | SIGNAL | SIGNAL |
| 24 | SIGNAL | SIGNAL |
| 25 | GROUND | GROUND |
| 26 | SIGNAL | SIGNAL |
| 27 | SIGNAL | SIGNAL |
| 28 | GROUND | GROUND |

CONNECTOR CONTACT IDENTIFICATION

| | | |
|---|---|----------------------------|
| QUALITY SYMBOLS MAJOR Ⓢ CRITICAL Ⓢ GENERAL TOLERANCES (UNLESS SPECIFIED) X ± 0.5 .X ± 0.25 .XX ± 0.15 .XXX ± 0.1 ANGLES ± 2° | DRAWN BY Lin, Chia Ann DATE 21/08/05 | |
| | CHECKED BY Lee, I Hung DATE 21/08/05 | |
| | APPROVED BY Wang, Chun Sheng DATE 21/08/05 | RFO NO. N/A |
| UNITS mm | | SIZE A4 |
| SCALE 2 : 1 | SHEET NO. 2 OF 2 | REV A |
| | | DWG NO. 52708-056XX-XXX |